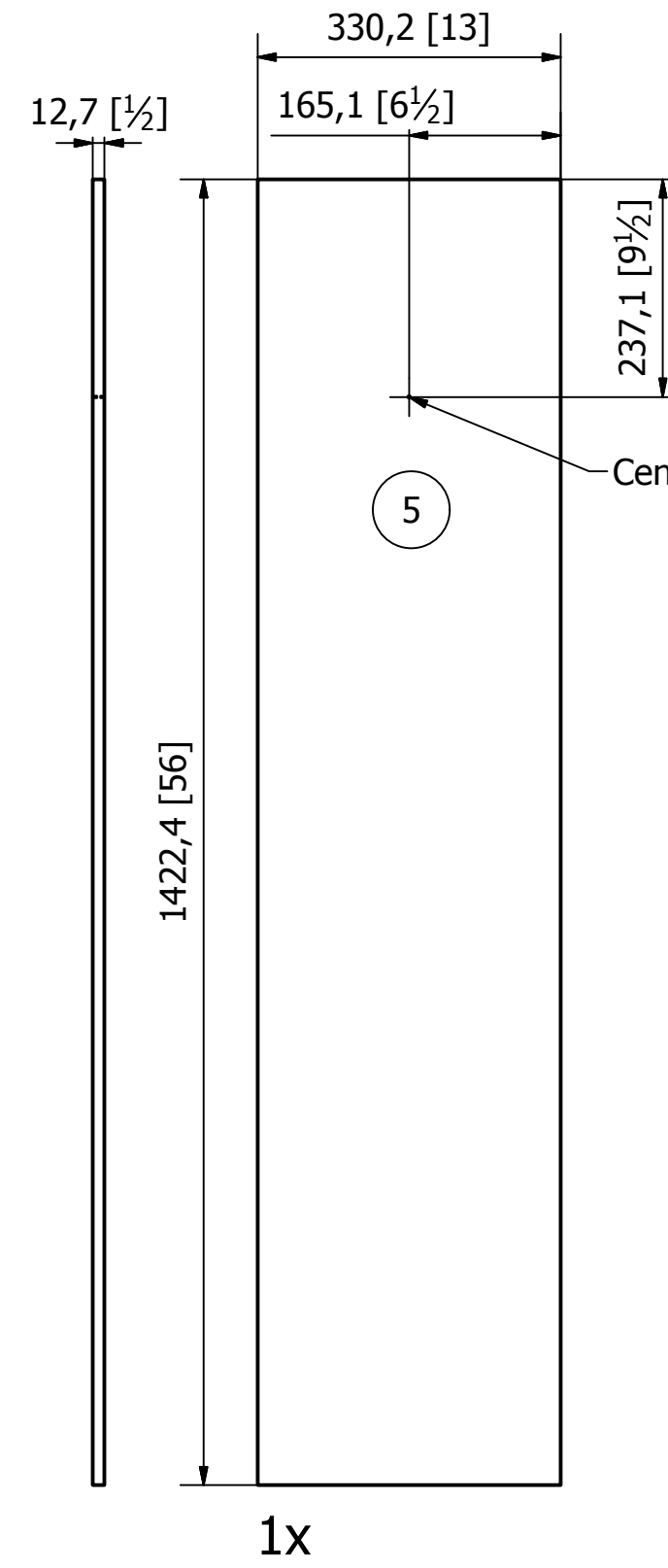
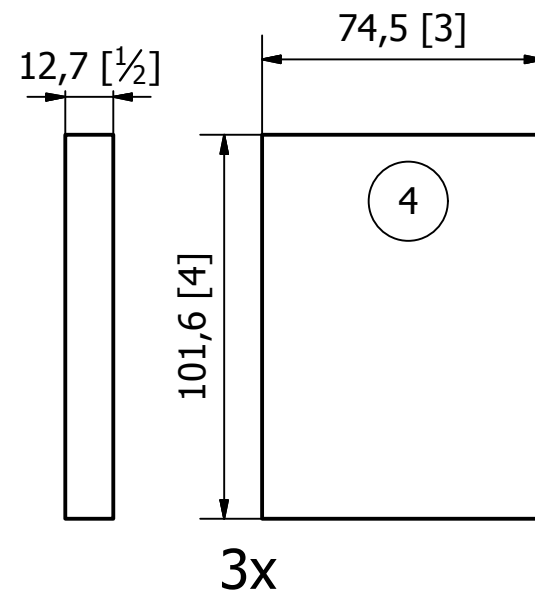
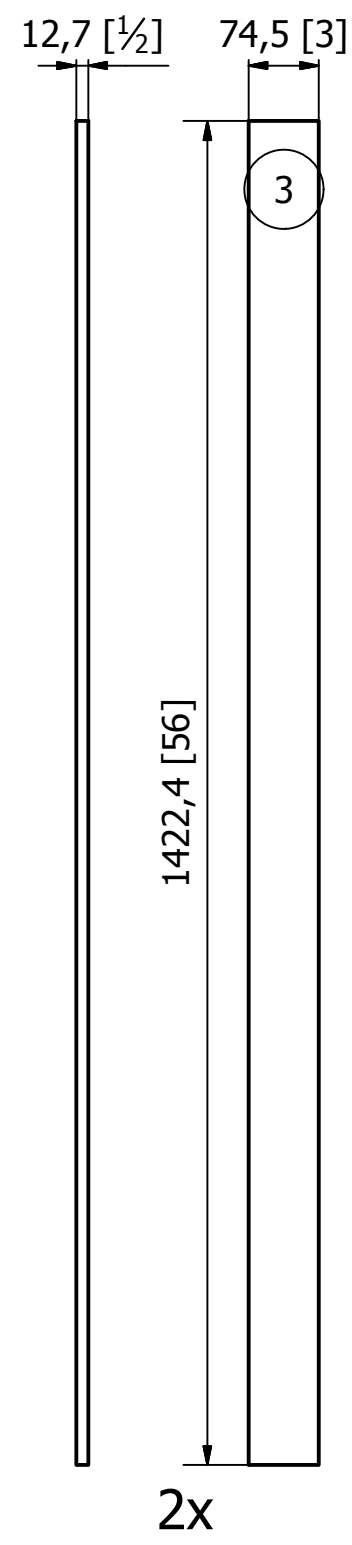
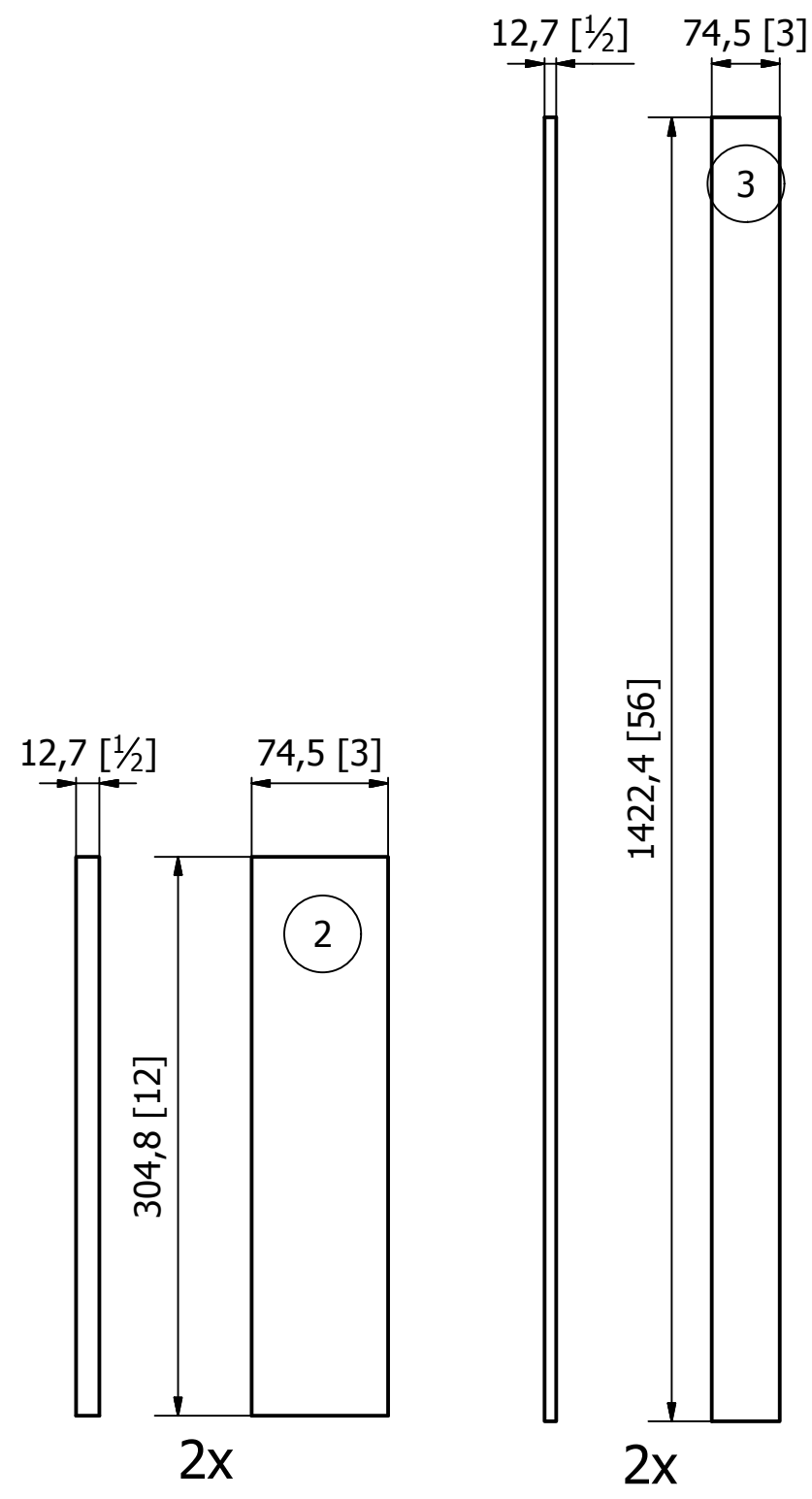
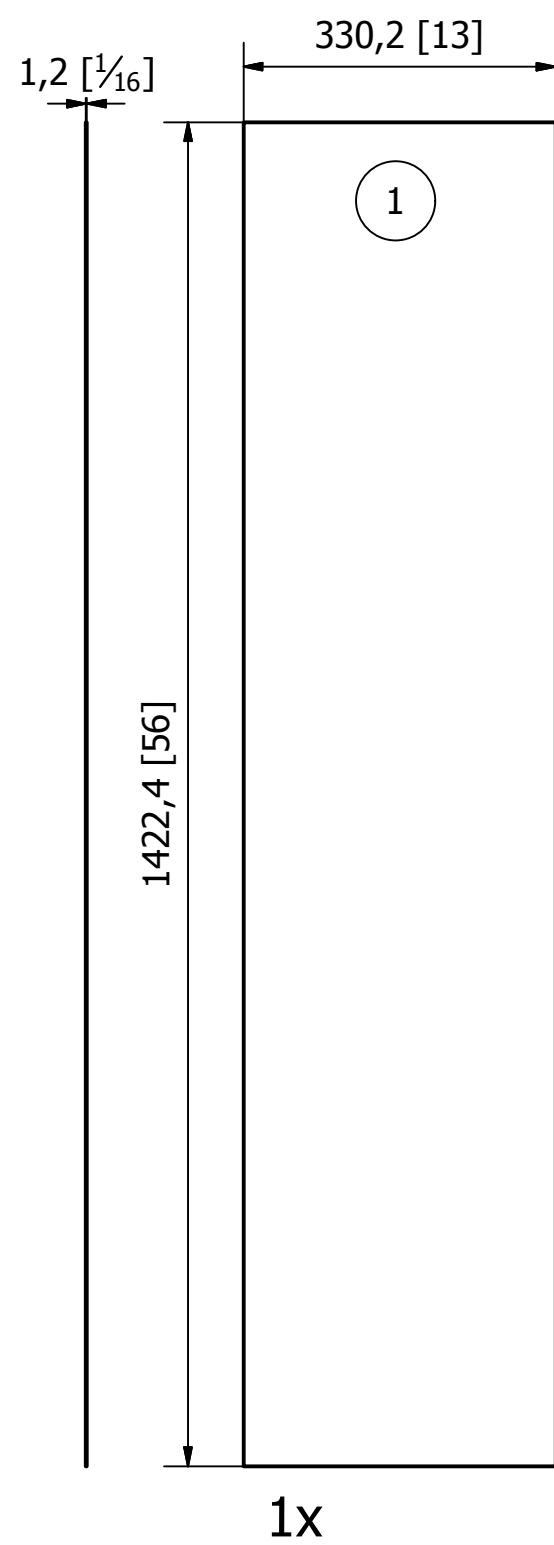
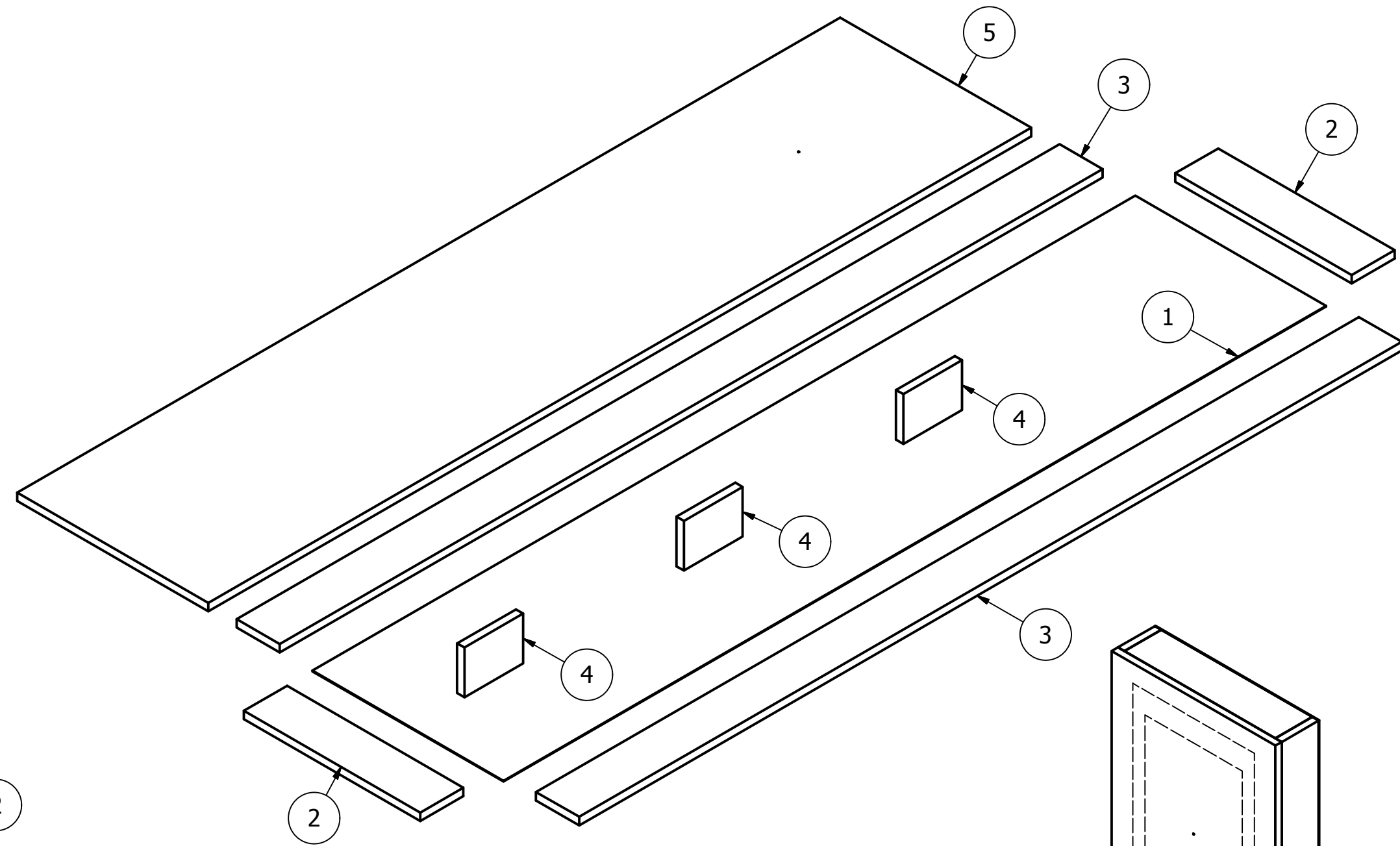
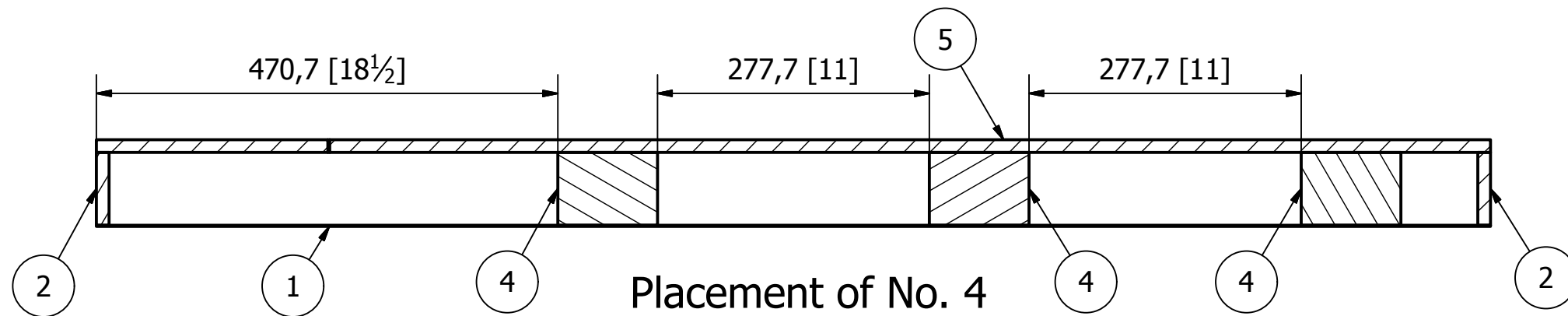
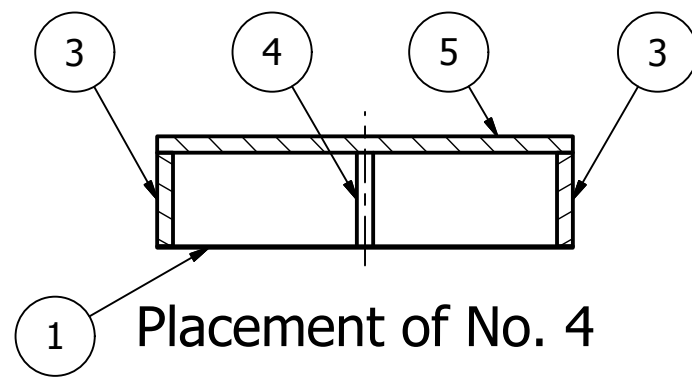


# Dynaudio Custom

Architectural Studio Series Speakers

## In-wall Back Box Construction

30L, in-wall back box components and assembly  
Revision B, December 2017



### Material

No. 1: Steel plate (1,2mm)  
No. 2-5: MDF (12,7mm)

### Recommended Cutout

S4-W65: 175 x 275 [6,9" x 10,83"]  
S4-W80: 215 x 380 [9,25" x 14,38"]

### Assembly

#### Note.

Ensure that the joints are airtight.

- Make the cutout in No. 5
- Place No. 5 on a flat surface
- Line No. 2 and 3 up and glue them on to No. 5
- Line No. 4 up and glue them on to No. 5
- Finish the assembly by glueing No. 1 on top of the other parts

**DYNAUDIO**

Dynaudio A/S, 8660 Skanderborg, Denmark  
www.dynaudio.com  
Document Part No. xxxxxxxxxxx Rev B