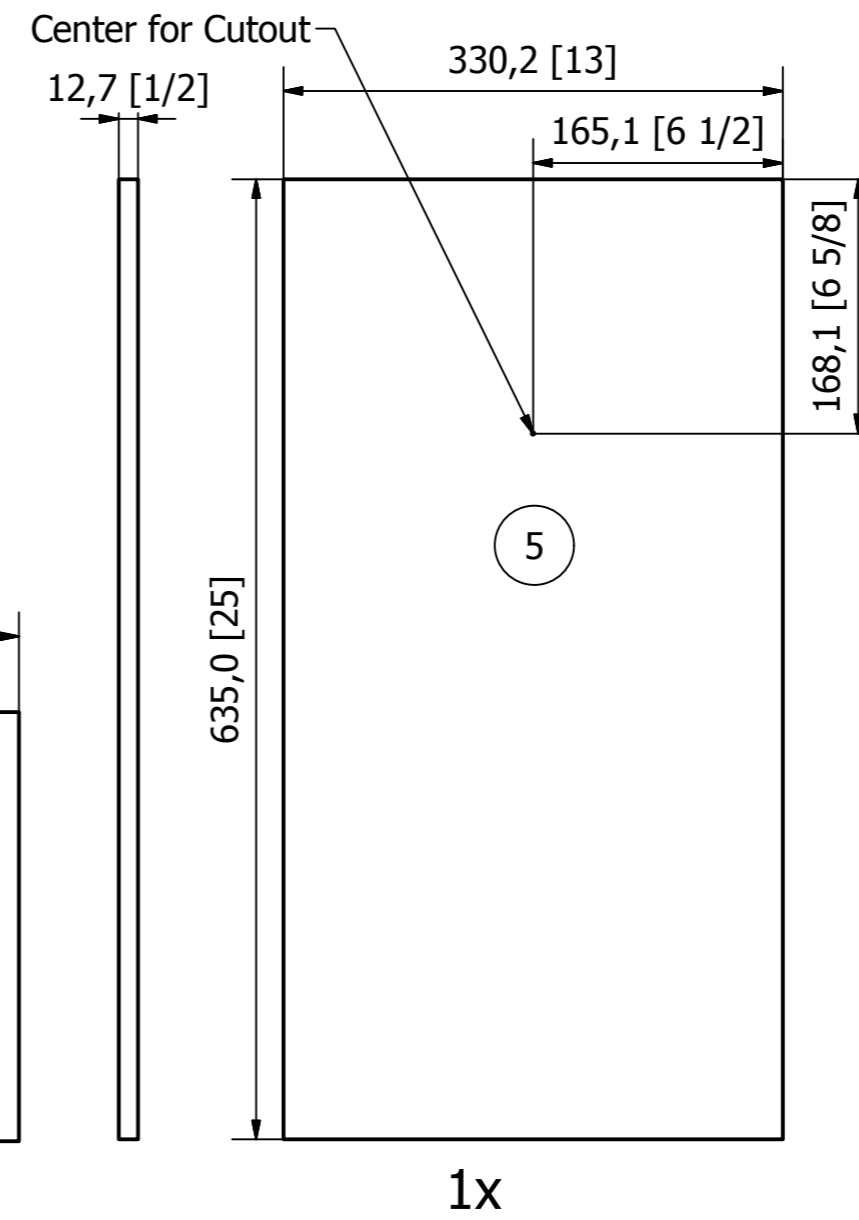
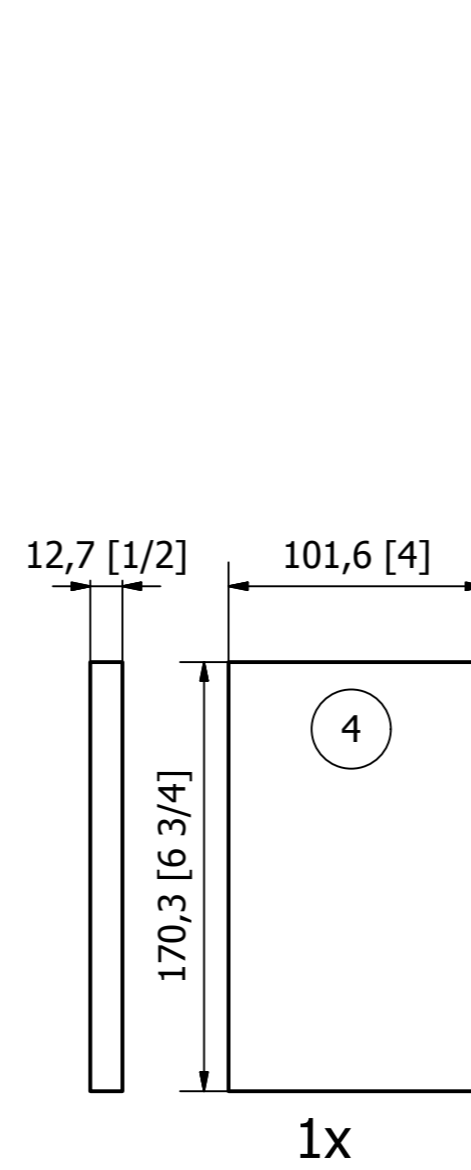
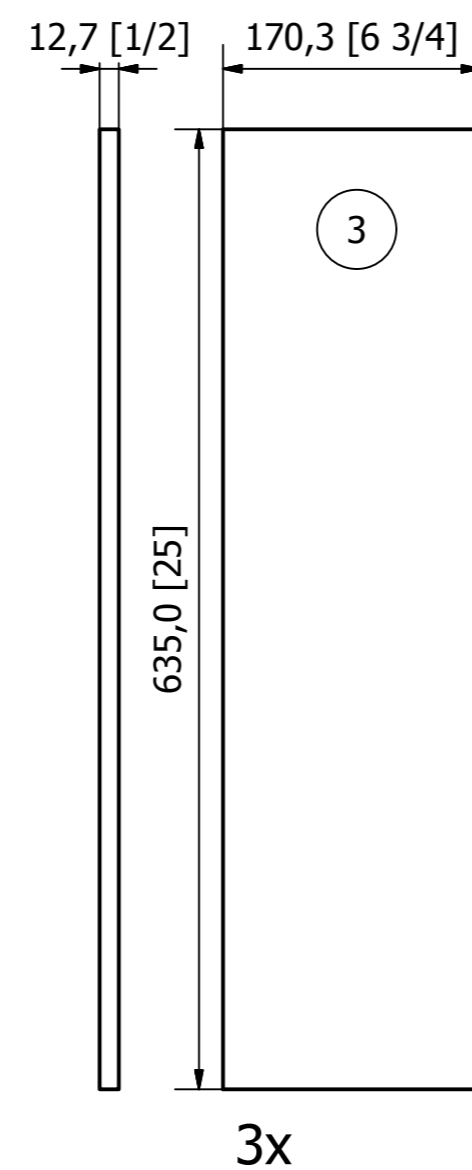
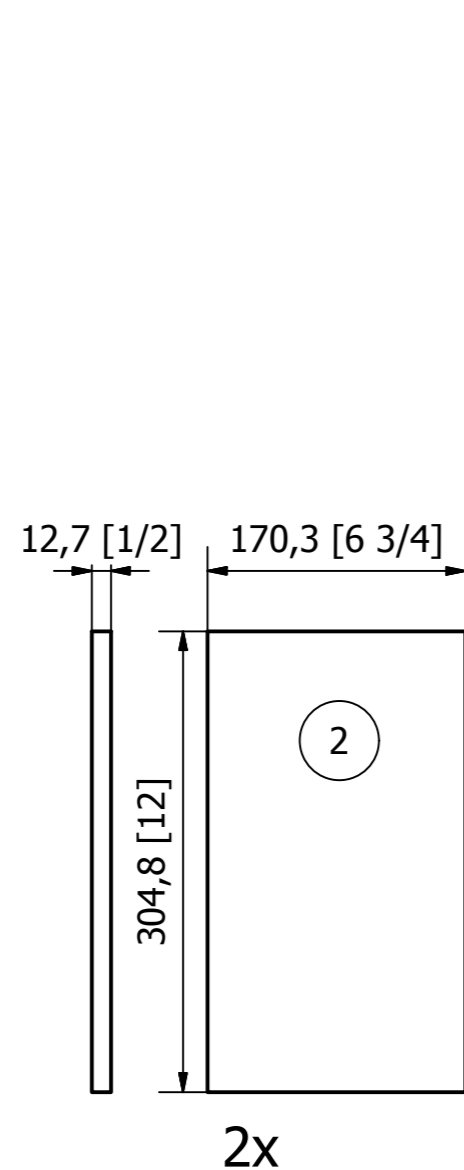
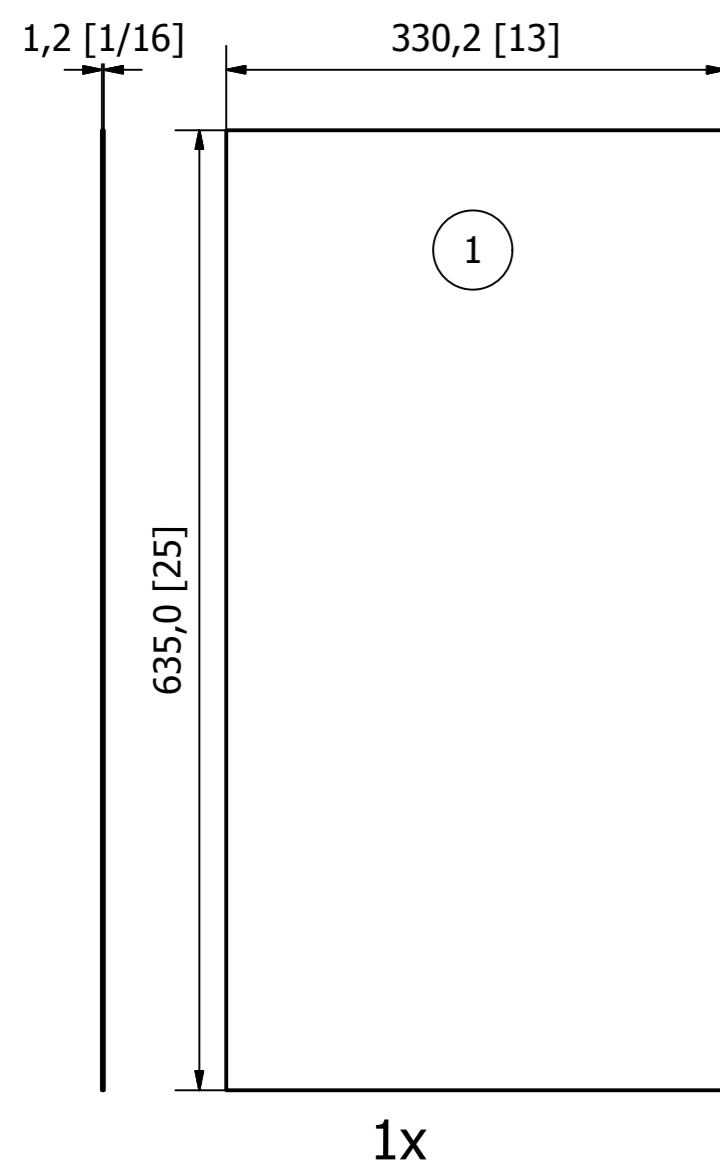
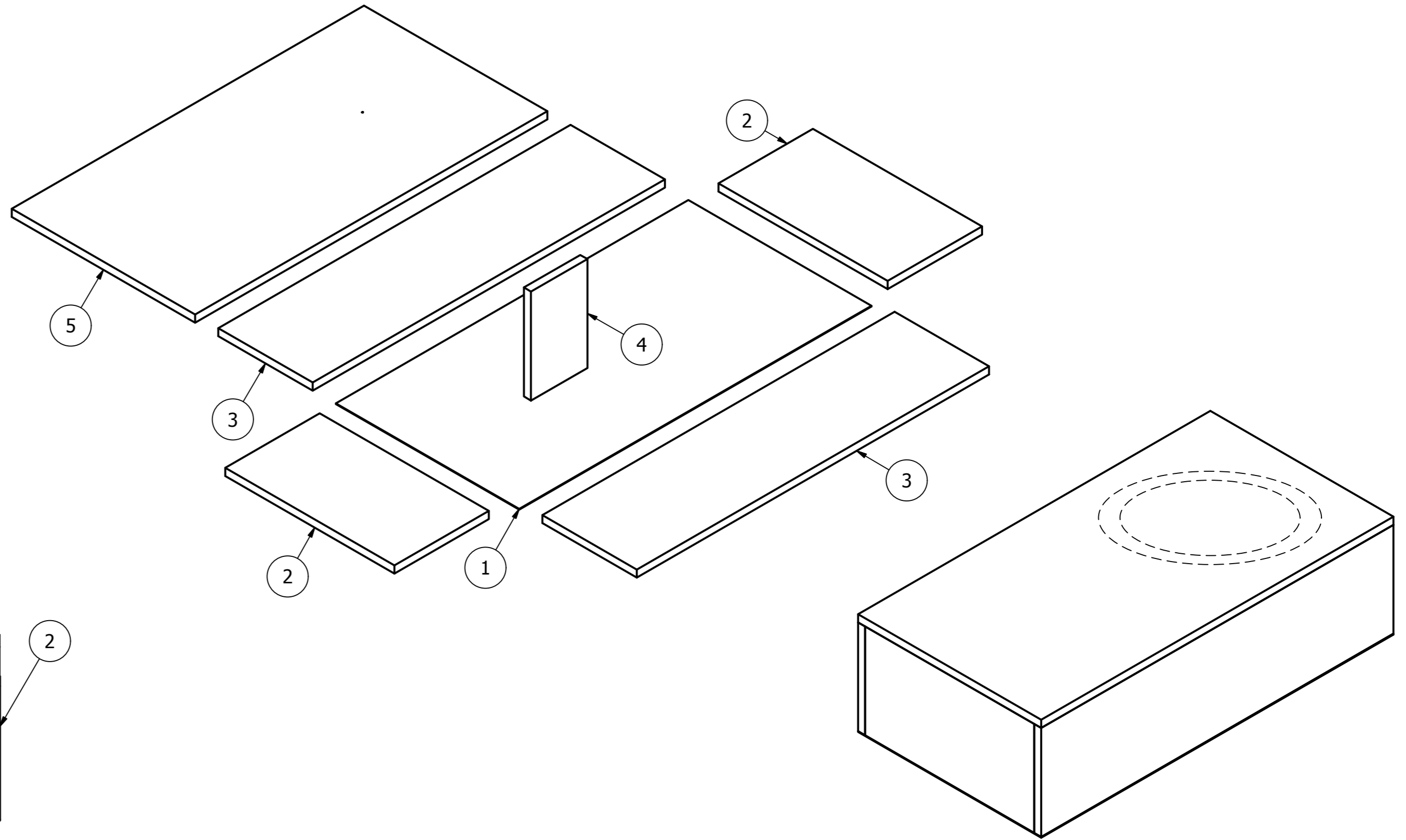
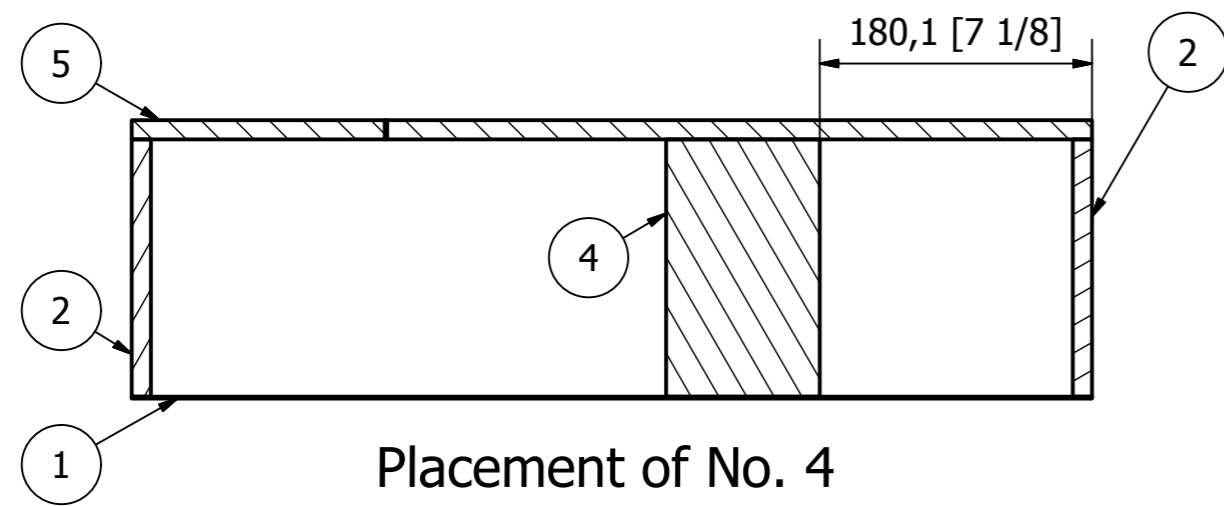
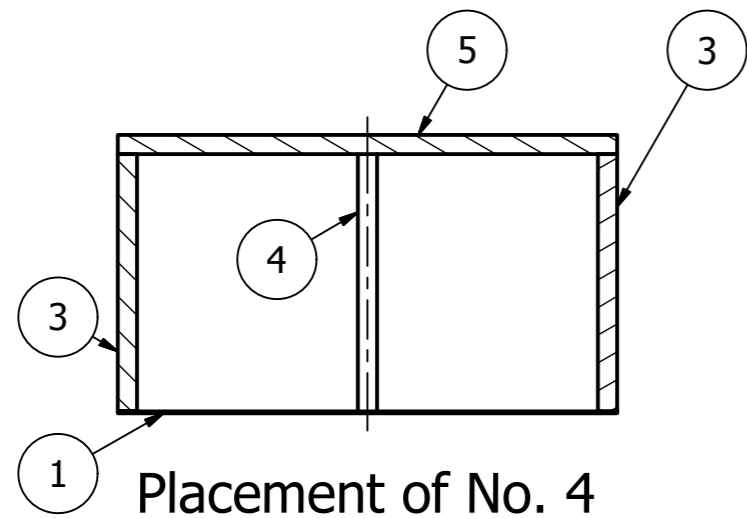


In-ceiling Back Box Construction

30L, in-ceiling back box components and assembly
Revision B, December 2017



Material

No. 1: Steel plate (1,2mm)
No. 2-5: MDF (12,7mm)

Recommended Cutout

S4-C65: Ø210 [Ø8 1/4"]
S4-DVC65: Ø210 [Ø8 1/4"]
S4-C80: Ø260 [Ø10 1/4"]

Assembly

Note.

Ensure that the joints are airtight.

Make the cutout in No. 5
Place No. 5 on a flat surface
Line No. 2 and 3 up and glue them on to No. 5
Line No. 4 up and glue them on to No. 5
Finish the assembly by gluing No. 1 on top of the other parts

DYNAUDIO

Dynaudio A/S, 8660 Skanderborg, Denmark
www.dynaudio.com
Document Part No. xxxxxxxxxxx Rev B