

Introduction

We thank you for choosing this quality wall-mount bracket which has been designed to work particularly well with the Dynaudio compact loudspeaker models. The bracket has been designed to provide a very rigid and stable support, thus allowing the speaker(s) to perform at optimum levels in a wide variety of positions. The unique curved shape adds strength to the mounting assembly while also offering the flexibility of both vertical and horizontal adjustment capabilities. Therefore the loudspeaker(s) may be precisely angled to obtain the optimum listening axis in any room. The speakers will be mounted in place at a distance within 6 cm of the wall boundary, and the mounting bracket will essentially be hidden behind the speaker cabinet.

Mounting surfaces

WARNING

Carefully evaluate the composition, construction and strength of the surface you are mounting to. Take care to avoid concealed water (plumbing) and power (electric) supplies which may be located behind the desired mounting location(s).

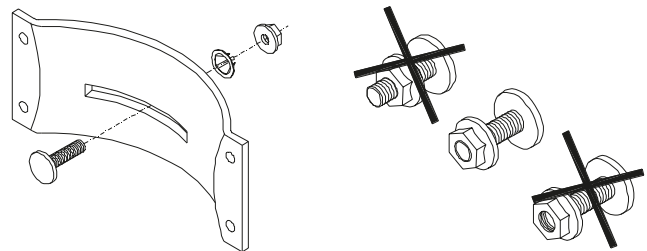
Tools required

- ← Spirit level
- ← Power Drill
- ← 3 mm masonry drill bit
- ← No2 Pozidriv screwdriver

Assembly/Installation

Before assembly you should check that the hardware kit is complete. A complete kit consists of the following:

- ← 4 curved steel plates
- ← 8 wood screws
- ← 2 washers
- ← 1 wrench
- ← 2 bolts
- ← 2 nuts



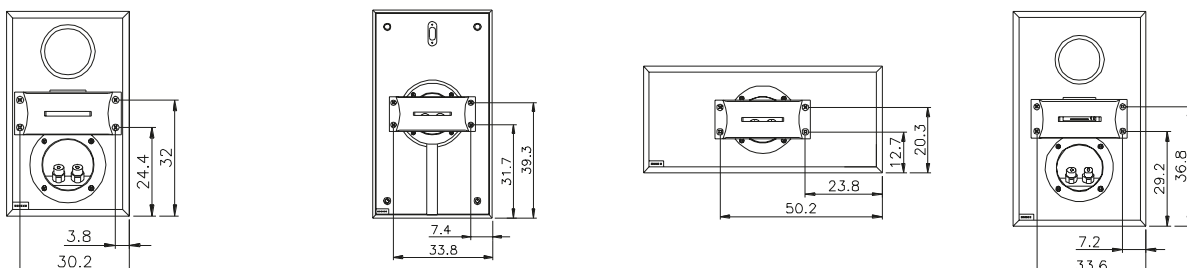
First put the bold and the plain washer through the slot of the smaller curved plate. Then, screw the nut flush onto the bolt, as shown in the picture at the right.

Next, drill the holes and attach the smaller plate concentric onto the speaker cabinet. The holes should measure 3mm in diameter but shouldn't be deeper than 15mm to prevent the screws of breaking through into the cabinet enclosure.

NOTE

Sometimes it is helpful to connect the loudspeaker cable before completing the assembly. The mounting bracket plate could be positioned right above the terminals of the speaker(s).

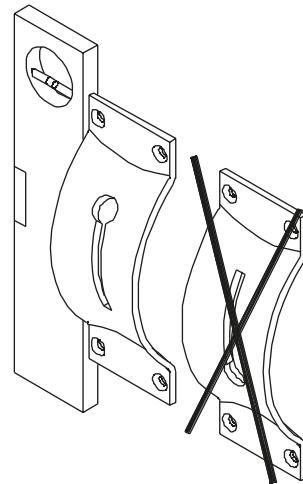
Examples



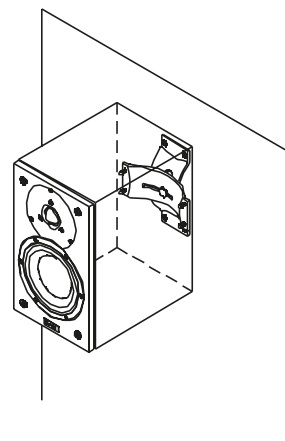
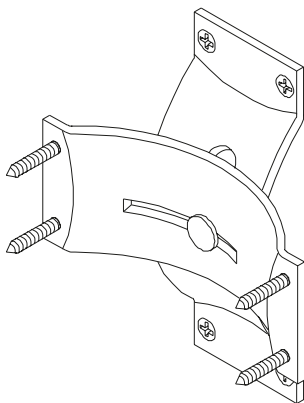
Decide upon the location where the loudspeakers will be mounted and mark the wall at the edges of the longer plate. Also mark the location of the holes in the wall, having first checked the vertical positioning with the level.

Fix the plate with screws/wall plugs that are suitable for the consistency and materials of your wall.

Please note that the hole at the end of the slot should be positioned at the top of the plate.



You may then connect the plates by putting the nut of the shorter plate through the slot on the longer plate. Then tighten the nut with the wrench to complete the installation.



Congratulations – and happy listening!